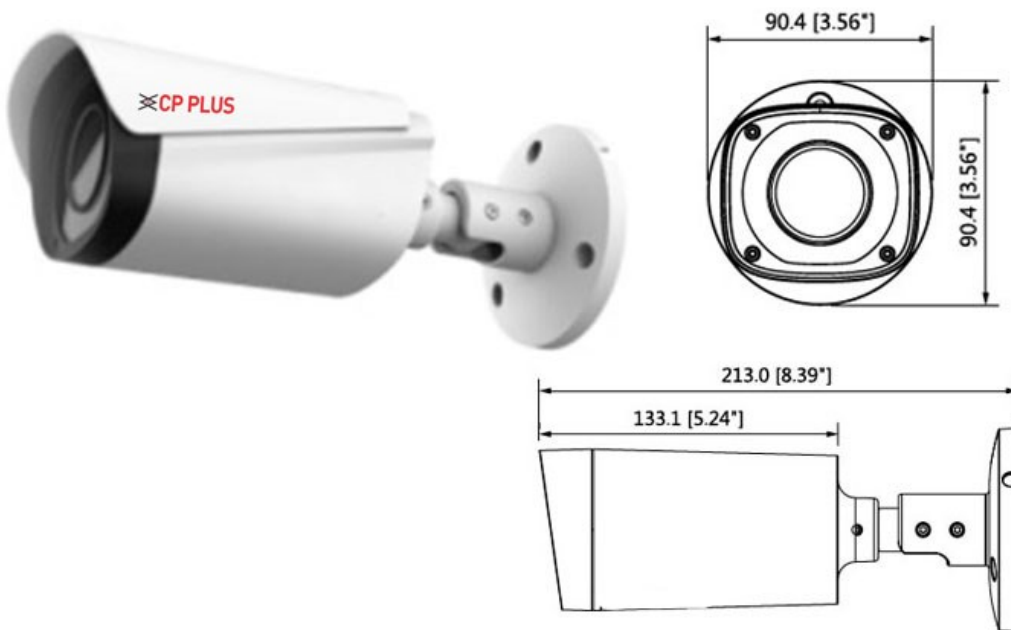


**CP- USC-TA24ZL6-DS****2.4MP Full HD WDR IR Cosmic Bullet Camera - 60Mtr.****COSMIC**  
HD CAMERA**Main Features**

- 1/2.8" 2.4MP CMOS Image Sensor
- Max. 30fps@2.4MP
- WDR(100dB), Day/Night (ICR), 2D-DNR, AWB, AGC, BLC,HLC
- 2.7-12mm Motorized lens
- Max. IR length 60m, IP67, Smart IR
- Starlight Technology
- OSD Menu, control over coaxial cable, 2D-DNR
- HD and SD output switchable



**CP- USC-TA24ZL6-DS****2.4MP Full HD WDR IR Cosmic Bullet Camera - 60Mtr.****COSMIC**  
HD CAMERA**Feature**

Image Sensor  
Minimum Illumination  
Effective Pixels  
Shutter Speed  
White Balance  
Gain Control (AGC)  
Lens  
Back Light Compensation  
Angle of View  
S/N Ratio  
Video Streaming  
Video Output  
ICR  
OSD  
IR  
Operating Temperature  
Power Source  
Power Consumption  
Weatherproof Standard  
Casing  
Dimension  
Weight

**Specification**

1/2.8" CMOS  
0.005Lux/F1.8, 30IRE, 0Lux IR on  
2.4 MP  
PAL: 1/25~1/100000s NTSC: 1/30~1/100000s  
Auto / Manual  
Auto / Manual  
2.7-12mm Motorized lens  
BLC / HLC / WDR(100dB)  
H: 101.7°~32.3°  
More than 65dB  
25/30fps@2.4MP, 25/30/50/60fps@720P  
1-channel BNC high definition video output / CVBS video output (Can switch)  
Auto (ICR) / Manual  
Multi-language  
IR Range of 60 Mtr.  
-30°C~+60°C / Less than 90%RH  
12V DC ±30%  
Max 12.1W (12V DC, IR on)  
IP67  
Metal  
213.0mm×90.4mm×90.4mm  
0.55kg